

# SRO Technology Ramsey Micro-Tech 9100

## Static Weight Indicator

The SRO Technology Ramsey Micro-Tech 9000 series of electronic instruments signifies a new approach to scale instrumentation, giving you more flexibility and vastly increased upgrade capabilities. Each model is designed for your specific weighing application, and because they utilize a common platform, you only need to become familiar with one basic interface.

### Features Common to All Models:

- Available in multiple languages including English, Spanish, German and Italian
- Automatic conversion of data between Metric and English measure units
- 24 bits A/D converter (more than 16,000,000 intervals)
- Plug-and-play add-in boards recognition
- Audit trail
- Self diagnostics
- Alphanumeric alarm messages
- Panel mount and field mount versions
- Battery back-up clock calendar for time and date monitoring and printing

### Operation

All set-up, calibration and diagnostic functions are performed via the front panel display and keyboard. Menu driven software makes the unit easy to use, with comprehensive messages and set up procedures, which minimizes human errors.

SRO Technology  
Ramsey Micro-Tech 9100  
or 9200 Field Mount

SRO Technology  
Ramsey Micro-Tech 9100  
or 9200 Panel Mount



### Weight Indicator Model 9100

The model 9100 is a weight indicator/ transmitter for static scales designed for accurately weighing materials in industrial applications. When equipped with optional add-in boards, the 9100 can control up to four independent weighing points. This model has five available internal slots for optional expansion boards.

### Weight Indicator Model 9200

The model 9200 is similar to the model 9100, but it is suitable for applications required to meet HB44 and MID standards. This version uses an add-in premium A/D board to achieve superior accuracies. The model 9200 has four available internal slots for optional expansion boards.

The SRO Technology Ramsey Micro-Tech 9100 and 9200 static weighing electronics are suitable for production/ consumption monitoring and control in many industries such as mining, cement, coal, ceramics, food, chemicals and more, for applications utilizing:

- Load cell static weighing systems
- Crane overload controls
- Multi-component static batch weighers and feeders

## SRO Technology Ramsey Micro-Tech 9100 and 9200

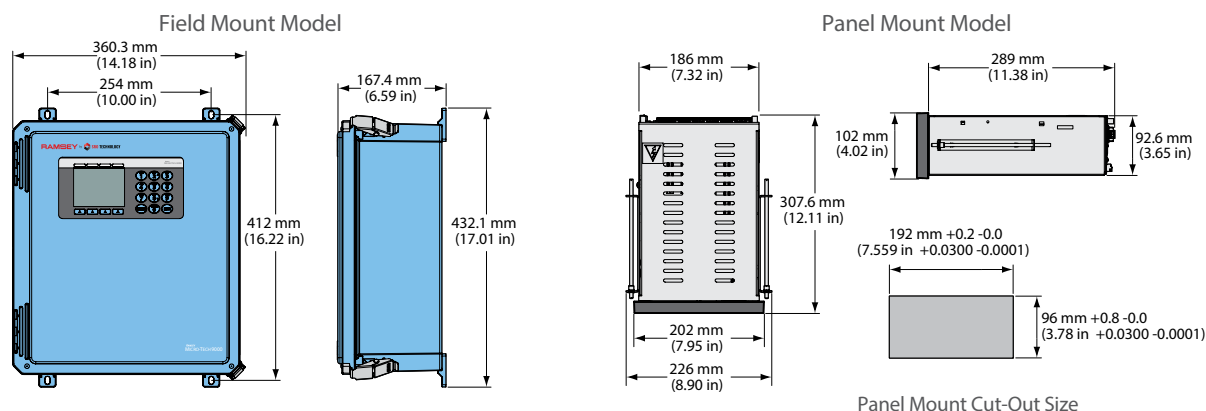
### Micro-Tech 9100 Specifications

Enclosure	Field mount, NEMA-4X fiberglass, IP66, dust and watertight, 432 mm (17 in) x 360 mm (14 in) x 167 mm (6.6 in) Panel mount, chromate mid steel chassis, front panel IP65, DIN 43700, 308 mm (12 in) x 102 mm (4 in) x 202 mm (7.9 in)
Temperature	Operating: -20°C to +60°C (-4°F to +140°F) Storage: -30°C to +70°C (-22°F to +158°F)
Power Requirements	Field mount 100-240 VAC, 50-60 Hz Panel mount 24 VDC +10%, -15% (user supplied), 24 VDC only, optional AC module available
Display	77 mm x 58 mm viewable LCD graphic display with status indicator lights for easy reading, continuous backlight for ease of viewing indoors and outdoors, available menu languages include English, German, Italian and Spanish
Load Cell Excitation	5 VDC +/-10%, 90 mA
Outputs	Includes one solid state DC output open collector, configurable
Communication	Standard serial interface RS-232C provides support for modem, RS-485, 2- and 4- wire multi-drop
Communication Protocols	Modbus RTU, Allen Bradley DF-1, Siemens
Ethernet	Ethernet/IP and Modbus/TCP
Built-in USB Port	Configuration and data storage
Expansion Slots (5)	Optional boards include 4-20 mA output board, input/output expansion boards, digital or analog input/output boards, Profibus DP or Standard communication board
Ratings	cCSAus, CE

### Micro-Tech 9200 Specifications

Enclosure	Field mount, NEMA-4X fiberglass, IP66, dust and watertight, 432 mm (17 in) x 360 mm (14 in) x 167 mm (6.6 in) Panel mount, chromate mid steel chassis, front panel IP65, DIN 43700, 308 mm (12 in) x 102 mm (4 in) x 202 mm (7.9 in)
Temperature	Operating: -20°C to +60°C (-4°F to +140°F) Storage: -30°C to +70°C (-22°F to +158°F)
Power Requirements	Field mount 100-240 VAC, 50-60 Hz Panel mount 24 VDC +10%, -15% (user supplied), 24 VDC only, optional AC module available
Display	77 mm x 58 mm viewable LCD graphic display with status indicator lights for easy reading, continuous backlight for ease of viewing indoors and outdoors, available menu languages include English, German, Italian and Spanish
Load Cell Excitation	+/-5 VDC (10 VDC) +/-5%, 180 mA
Outputs	Includes one solid state DC output open collector, configurable
Communication	Standard serial interface RS-232C provides support for modem, RS-485, 2- and 4- wire multi-drop
Communication Protocols	Profibus-DP
Ethernet	Ethernet/IP and Modbus/TCP
Built-in USB Port	Configuration and data storage
Expansion Slots (4)	Optional boards include 4-20 mA output board, input/output expansion boards, digital or analog input/output boards, Profibus DP or Standard communication board
Ratings	cCSAus, CE, Approvals pending to meet HB44 and MID standards

### Ramsey Micro-Tech 9100 and 9200 Field and Panel Mount



Find out more at [srotechnology.com/ramsey-micro-tech-9100](http://srotechnology.com/ramsey-micro-tech-9100)

# RAMSEY